

DYNAPAC

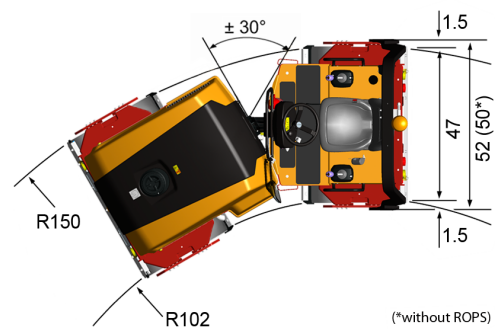
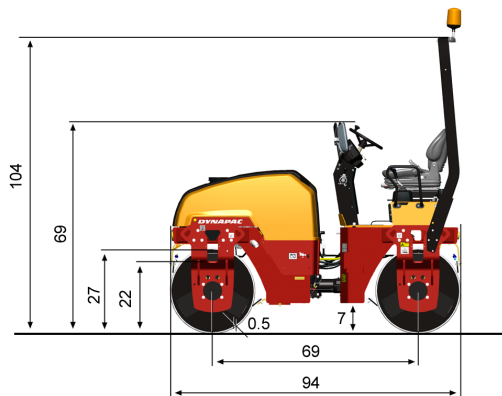
Part of the Atlas Copco Group

CC1200

Double drum vibratory rollers



Technical data



Masses		CC1200
Max. operating mass		6,000 lbs
Operating mass (incl. ROPS)		5,700 lbs
Module mass (front/ rear)		2,800/ 2,900 lbs
Propulsion		
Speed range (mph)		0-6
Vertical oscillation		±10°
Theor. gradeability		45 %
Compaction		
Centrifugal force		6,080 lb
Nominal amplitude		0.020 in
Static linear load (front/ rear)		59/ 62 lbs/ in
Vibration frequency		3,480 vpm
Water tank (gal)		42
Engine		
Manufacturer/ Model		Kubota D1703- M
Type		Water cooled
Rated power, SAE J1995		35 hp @ 2,800 rpm
Fuel tank capacity		13 gal
Hydraulic system		
Driving		Axial piston pump with variable displacement. Radial piston motors (2) with constant displacement.
Vibration		Gear pump/ motors with constant displacement.
Steering		Gear pump with constant displacement.
Service brake		Hydrostatic in forward and reverse lever.
Parking/ Emergency brake		Failsafe multidisc brake in both drums.

Find your local dealer at www.dynapac.us

We reserve the right to change specifications without notice. Photos and illustrations do not always show standard versions of machines. The above information is a general description only, all informations are supplied without liability.